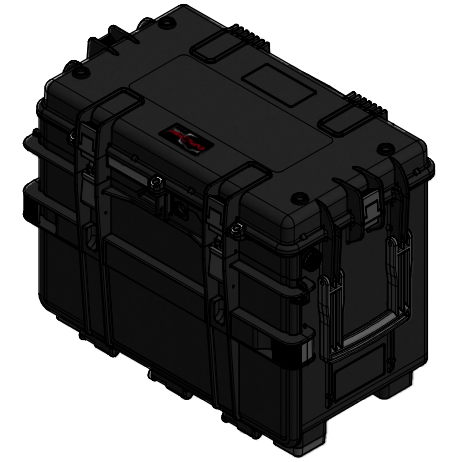
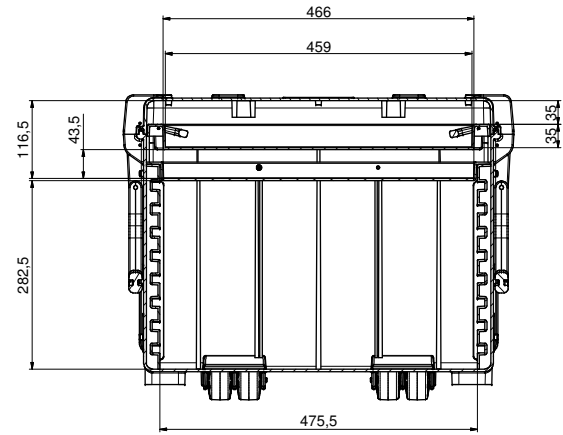
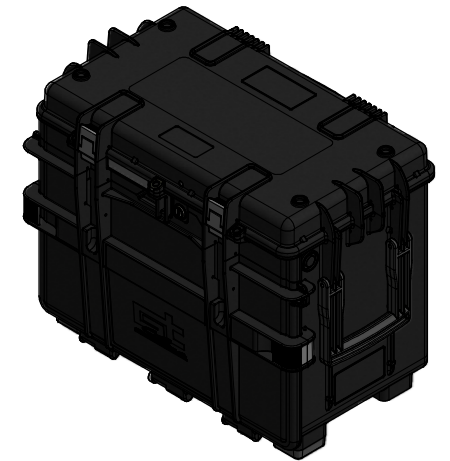
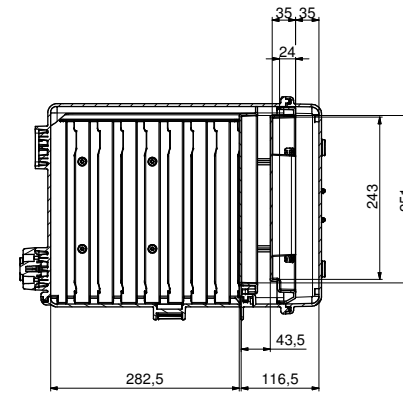


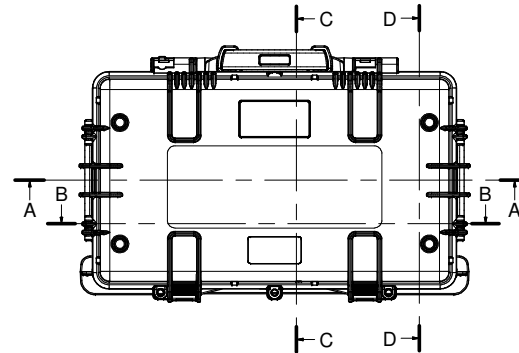
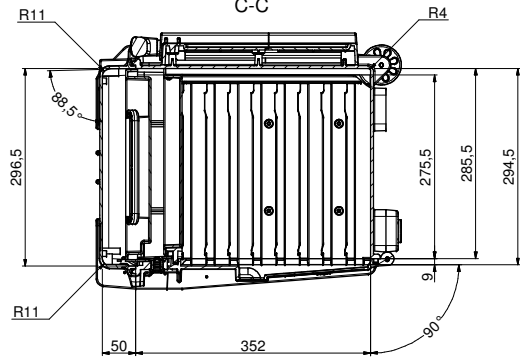
A-A



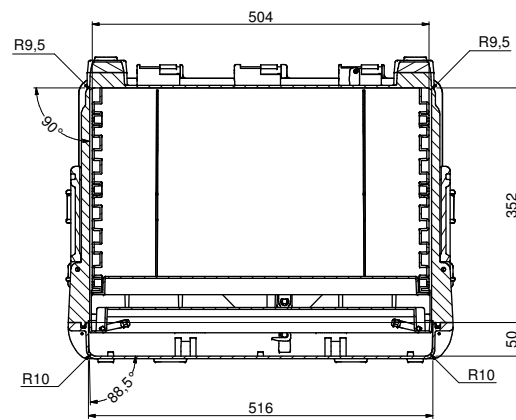
D-D



C-C



B-B



Note		Size	General Tolerance
		A1	±1,5%
		Scale	1 : 4
		Color	
Material	Treatment	Check	Color
Designer	Date	Date	Replace by
	11/03/2019		
Description		Date	Revision
A11-5140			
File Name			
A11-5140			