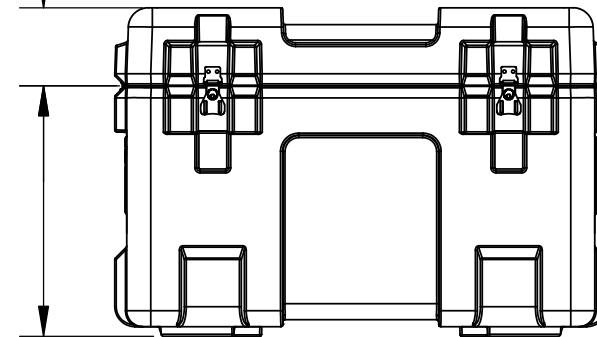
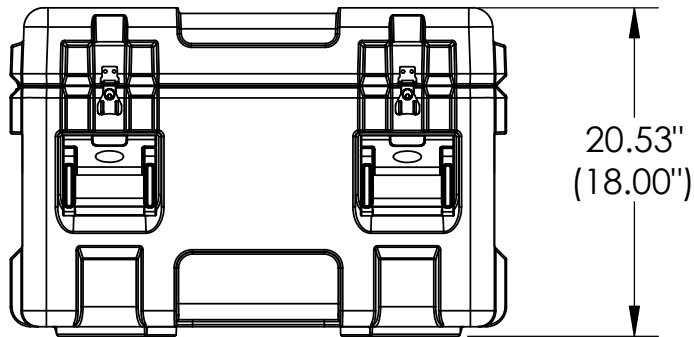


4.88"
(3.63")



3R2727-18



434 West Levers Place
Orange, CA 92867
Phone: (714) 637-1252
Fax: (714) 637-0491
<http://www.skbcases.com>

This drawing and all information details are the sole property of SKB Corporation, Orange CA. Any unauthorized use will be punished to the full extent of the law.

Case Series:	Mil - Standard				Dimensions (for reference only)			
	Case part#	3R2727-18	Length	Width	Overall	Base / Lid		
Weight:	37.4 LBS EMPTY	left to right	front to back	height	height			
Exterior		31.00"	30.75"	20.53"	15.65"-4.88"			
Interior		27.00"	27.00"	18.00"	14.37"-3.63"			

NOTE: DIMENSIONS IN (X.XX") ARE ID